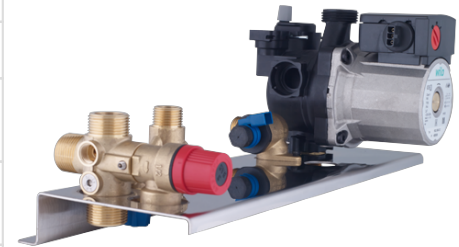


Valves / Hydroblocks / HB-1534

CONSTRUCTIVE PROPERTIES

	STANDARD	OPTIONAL
Material	Ms-58 Brass (CuZn40Pb2)	-
Hydroblock Type	Bithermic	-
Domestic Hot Water Flow Rate (Inlet Block)	8 lt / min. 10 lt / min. 12 lt / min. 15 lt / min.	
Check Valve Opening Pressure (nominal)	Varies as per customer request	-
Safety Valve Opening Pressure (nominal)	3 bar	Varies as per customer request
Flow Sensor Type	Turbine (Hall Effect-Variable)	-
By-Pass Type	External - Through copper tube	-



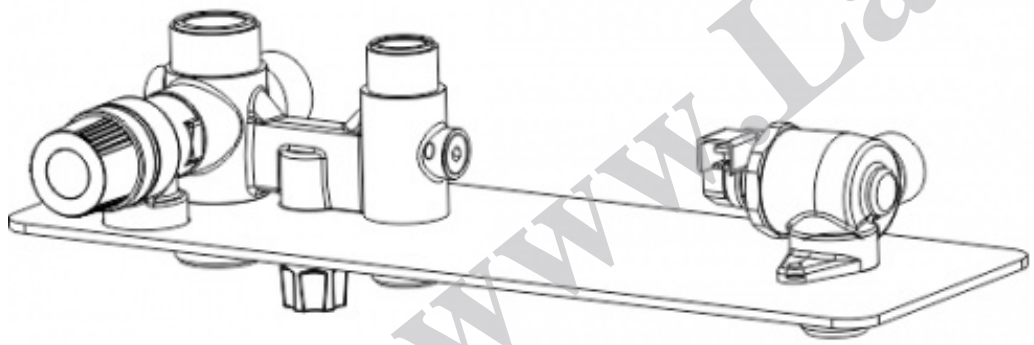
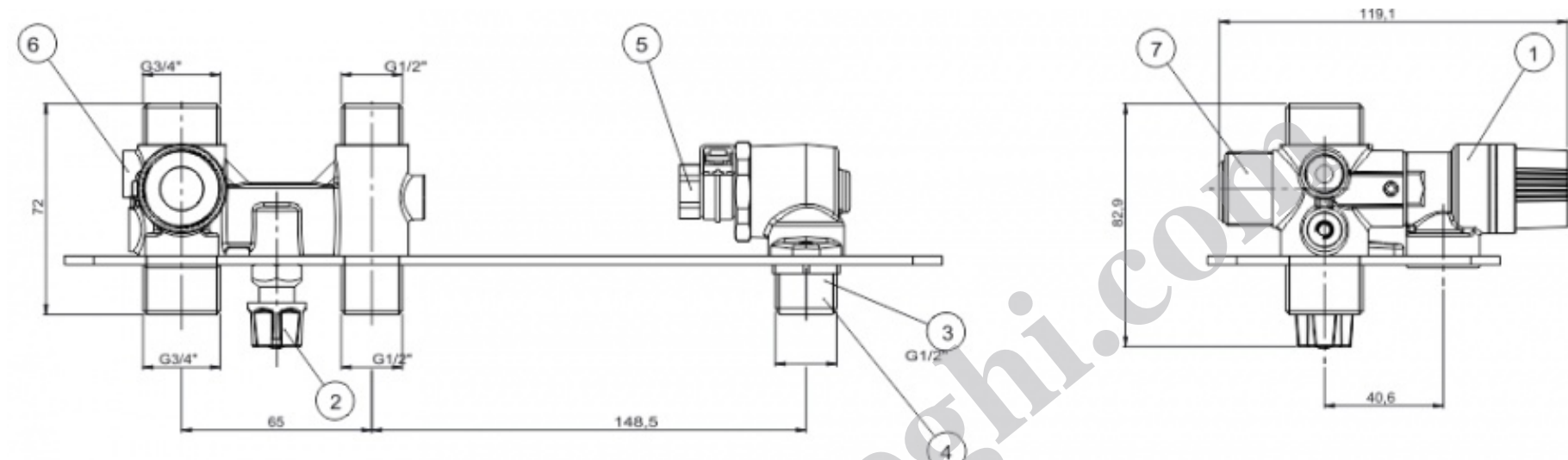
HB-1534

USAGE PROPERTIES

Storage Temperature	-20 ... +60 °C	-
Max. Water Temp.	120°C	-

www.Laheghi.com

Valves / Hydroblocks / HB-1534



1	Safety valve-3bar
2	Filling Tap
3	Flow Regulator
4	Filter
5	Flow Sensor (Turbine Type,Hall Effect)
6	High Pressure Connection-G3/8"
7	Check Valve

Model No: HB-1534